

Fiber Optic Fast Connector



- Optical fiber mechanical connector design requirements
250um or 900um fiber optic interconnects for
To provide special tools to ensure precise positioning fiber
The small size

Optical fiber mechanical connector index requirements

Operating temperature range: -40 °C to 70 °C

Connection loss: ≤ 0.1 dB

Return loss: ≤ -40 dB (room temperature)

For Project

FTTH optical cable interface line project
by



➤ **For New Building:**

• In the engineering phase is complete wiring cable laying, testing, transfer of the park light splitter box and installation, testing, access to cable laying, testing, corridor optical fiber box installation, covered wire laying fiber optic cable, leather Wire cable and fiber access cable in the box of welding points, covered wire cable red test;

When completed in the installed fiber covered wire into the end user side and equipment commissioning.

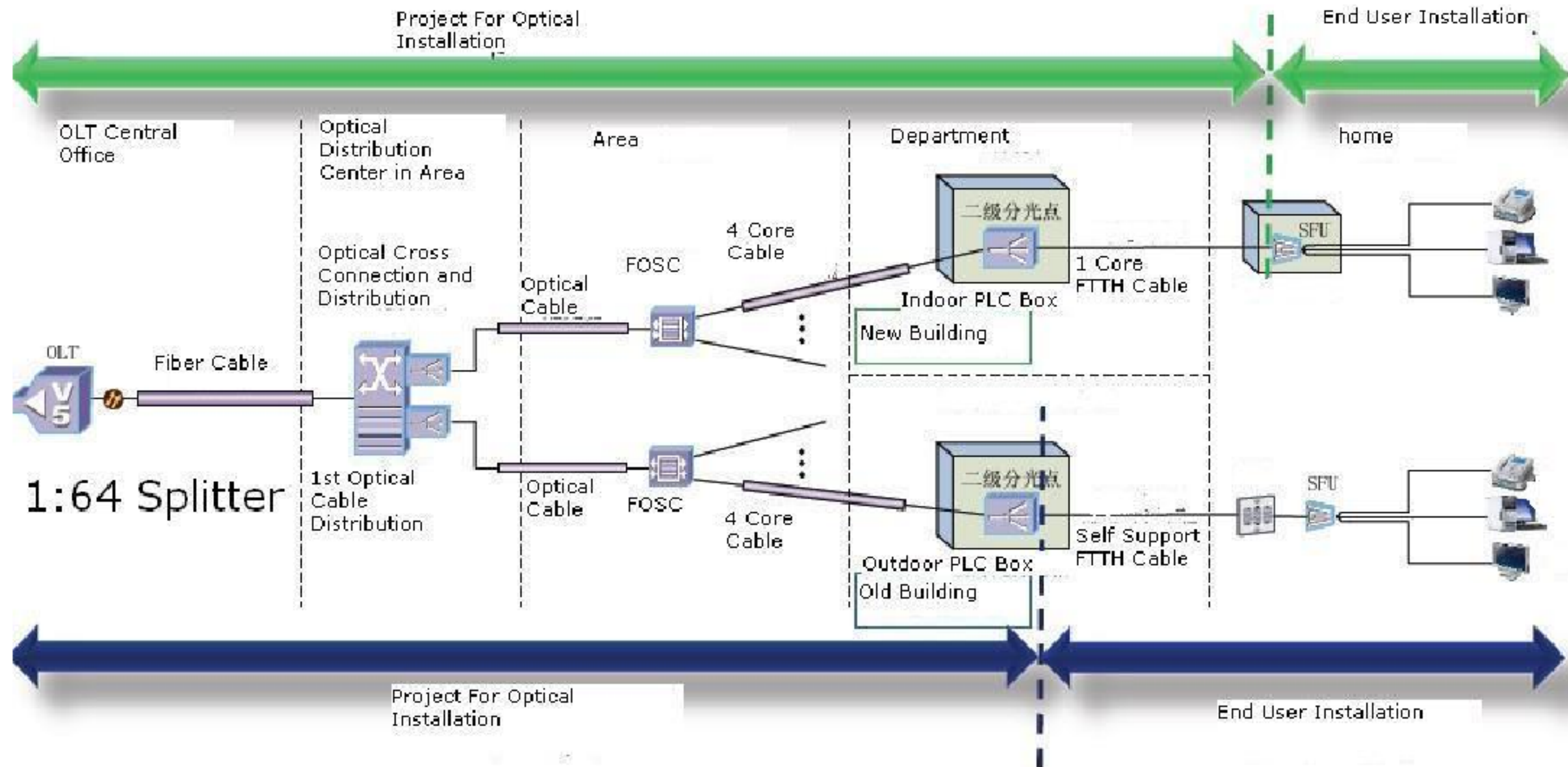
➤ **For Old Building :**

• In the engineering phase is complete wiring cable laying, testing, transfer case and a park light splitter installation, testing, access to cable laying, testing, and secondary corridor optical splitter box splitter installation, testing ;

When completed in the covered wire cable installed (including the out pipe, trough) of the deployment, into a terminal and equipment commissioning.

Chenzhou Cheerwe Telecom 2011-A Part Of Cheerwe Telecom All Rights Reserved
Contact: sales@chinacheerwe.com Tel:+86-735-2838376 Fax:+86-735-2838312

FTTH Project Installations



FTTH Network Including the Parts Of:

OLT Central Office: OLT Office Cabinet Frame, ODF Rack Mounted, 1:64 Optical Splitter

Optical Distribution Center in Area: Optical Cross Connection and Distribution-1st Optical Cable Distribution

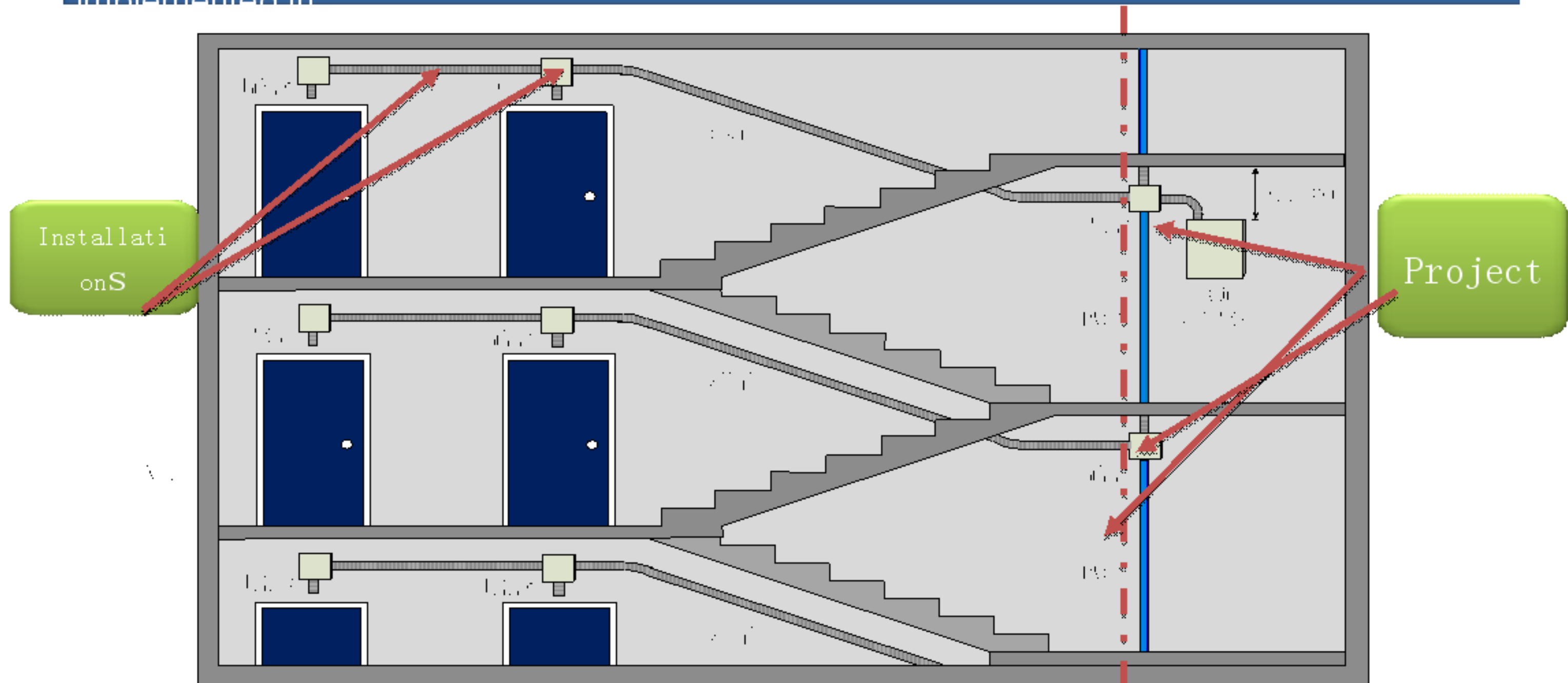
Operation in Area: FOSC, Optical Cable, Distributed 4 Core Cable

Department: 2nd Optical Cable Distribution-Indoor Or Outdoor PLC Box, FTTH Cable

Home: SPU-Telephone, Computer and TV

FTTH Project in Floor

For cable households have the priority use of underground pipe underground pipe; no underground pipe, the conditional should be laid out in the corridor tube, which uses PVC pipe vertical tube, and set the crossing case, this part of the work in the project implementation; Horizontal pipe with bellows and into the accounts of households in each household at the crossing box set, this part of the work installed in the place to be implemented in



Chenzhou Cheerwe Telecom 2011-A Part Of Cheerwe Telecom All Rights Reserved
Contact: sales@chinacheerwe.com Tel:+86-735-2838376 Fax:+86-735-2838312